

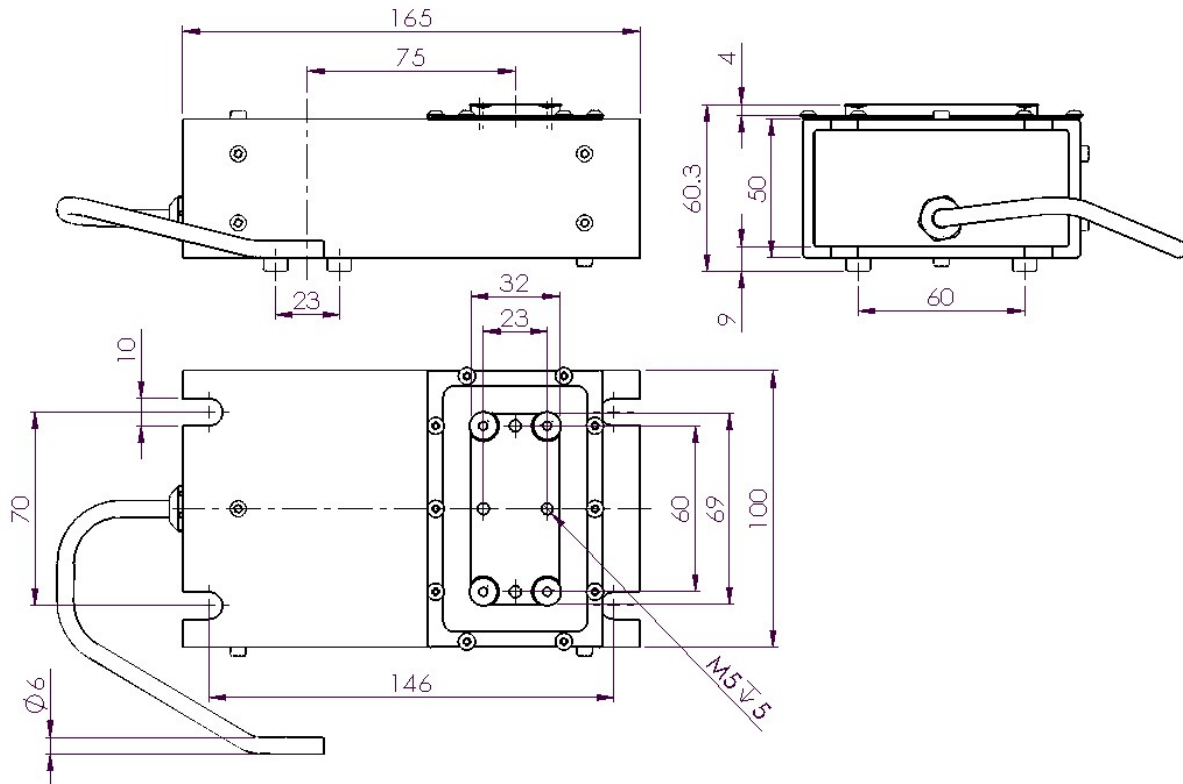
Weighing Module Type HP 6kg



Technical data

1. Technical specification		Relative air Humidity: ≤98% not condensing	Conductors: 8
Length:	165 mm	Pollution degree: 2	
Width:	100 mm	2. Cable	
Height:	60 mm	Type: Digi Sens spec. 8 wire . 8x0.25mm ² PUR	Free cable end: (1) white, GND (2) brown, VCC (3) green, FL (4) yellow, FT (5) grey, CS (6) pink, SK (7) blue, DI (8) red, DO
Weight (without cable):	1160 g	Length with free cable ends: 10 m	Bending radius: 15x diameter of cable
Housing:	IP66		
Power supply:	5 V DC		
Nominal:	5 mA(max. 10 mA)		
Signals:	TTL-compatible		

Dimensional drawing



DIGI SENS AG

Digitale Messtechnik
Freiburgstrasse 65
CH – 3280 Murten
Switzerland

Tel. : +41 (0)26 672 98 76
Fax : +41 (0)26 672 98 79
sales@digisens.ch
www.digisens.ch