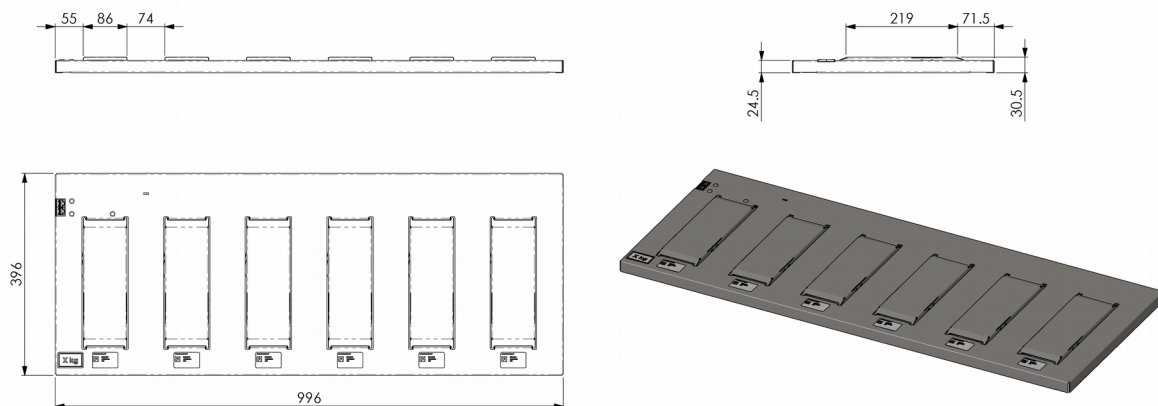


Technical Data

1. Technical specifications		Length	996 mm	3. Standards	
Number of containers	6	Width	396 mm	Relative Air Humidity	≤98% not condensing
Capacity	6 x 4 kg	Height	30.5 mm	Pollution degree	2
Overload Capacity	50%	Weight	7.8 kg	4. Delivery Condition	
Non-Linearity (typical)	0.05% f.s.	Indoor use		Ready to mount in standard shelf	
Repeatability (typical)	±1 g	2. Interface		Delivered on EUR-pallet, max. 30 pieces stacked per pallet	
Resolution	1 g	2 wire RS-485 serial bus			
Temperature drift (typical)	±0.4 g/K	LOWA DIGI SENS protocol (serial half-duplex ASCII protocol, no collision control)			
Zero point drift (typical)	-12 g/year	Connector	RJ45 (8 pins)		
Power supply	12V DC ± 2V DC				
Power consumption	40 mA (480 mW)				
Functional temperature range	+5 to +40 °C				

Dimensional drawing



DIGI SENS Switzerland AG

Freiburgstrasse 65
CH – 3280 Murten
Switzerland

Tel. : +41 (0)26 672 98 76
Fax : +41 (0)26 672 98 79
sales@digisens.ch
www.digisens.ch