

CAN-MUX (Indoor/Outdoor)



Modular measurement unit with Can-Bus-interface for 4 (8) DIGI SENS oscillating wire load cells

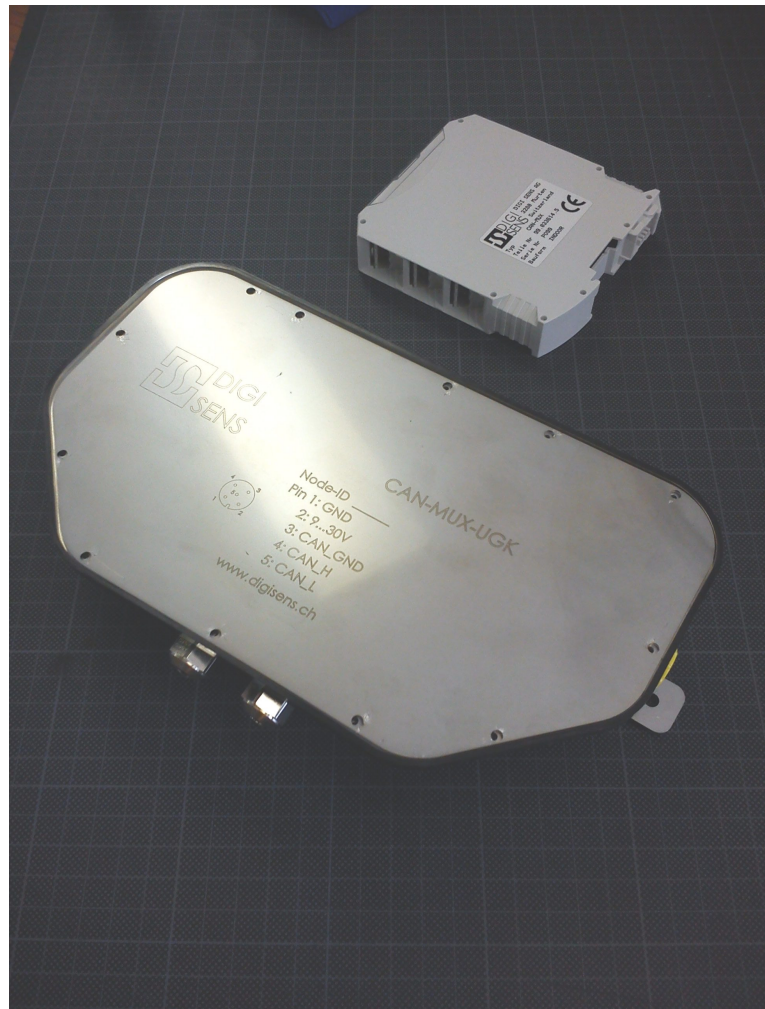
General

The CAN-MUX is a versatile measuring module to operate with the DIGI SENS oscillating wire Sensor. The Can interface is conform to actual industrial standards and provides an easy integration in existing systems.

Application

The CAN-MUX is particularly suitable for on-board weighing system (full body, etc.) and logistic applications (supply management) Other possible applications:

- process control
- overload protection
- test stands



Description

The module contains 8 measuring blocks organized for 4 load cells including load sensor, temperature sensors for compensation and memory (EEPROM) for the calibration or for 8 simple load sensors.

The module can be configured and the values for sensors are provided through the CANOpen DS-404 protocol. Each channel can be configured independently.

Fit and function

The can-mux can be delivered for indoor use mountable on a DIN rail or for outdoor use in a specially manufactured water proof box.

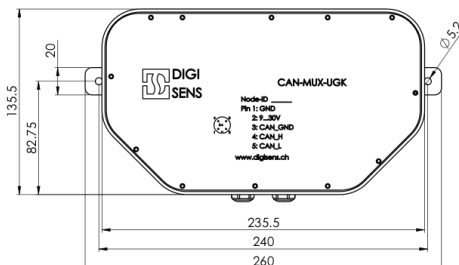
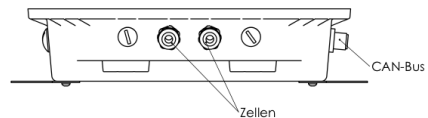
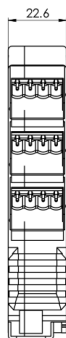
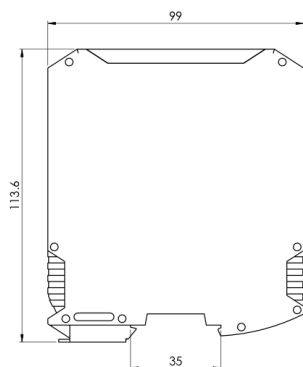
CAN-MUX (Indoor/Outdoor)



Technical Data

<p>1. Technical specifications</p> <p>Nominal voltage 24 V / DC</p> <p>Input voltage range 9V – 30 V / DC</p> <p>Currant consumption about 30mA @ 24V</p> <p>Indoor version :</p> <p>Functional temperature range -10 °C to 60 °C</p> <p>IP code 20</p> <p>Dimension (H x L x l) 100 x 90 x 30</p> <p>Weight 200 g</p> <p>Outdoor version :</p> <p>Functional temperature range -20 °C to 70 °C</p> <p>IP code 67</p> <p>Dimension (H x L x l) 55 x 240 x 135</p> <p>Weight 500 g</p>	<p>2. Can interface</p> <p>Number 1</p> <p>TPDO number 8</p> <p>Physical layer ISO 11898</p> <p>Transfer rates 100,125,250, 500,1000 kbit/s</p> <p>Bus termination set with a switch</p> <p>3. Cells input</p> <p>Sensor with eeprom :</p> <p>Number 4</p> <p>Sensor without eeprom :</p> <p>Number 8</p> <p>4. Connectors</p> <p>Indoor version :</p> <p>4x 4-pin MSTBO 2,5/4 Phoenix contact for cells 1x 4-pin MSTBO 2.5/4 Phoenix contact for CAN and power</p> <p>Outdoor version :</p> <p>4x 4-pin M12 female plug cells 1x 5-pin M12 male plug CAN and power</p>	<p>5. Standards</p> <p>CANOpen standards DS-301, DS-404</p> <p>Relative Air Humidity ≤98% not condensing</p> <p>Pollution degree 2</p> <p>6. Delivery Condition</p> <p>Indoor or outdoor version with 4 or 8 cells possibility</p>
-----------------------------------------------------------------------------------------------------------------------------------------------------------------------------------------------------------------------------------------------------------------------------------------------------------------------------------------------------------------------------------------------------------------------------------------------------------------------------------------------------------------------------------------------------------------------------------------------------------------------------------------------------------------------------------------	-----------------------------------------------------------------------------------------------------------------------------------------------------------------------------------------------------------------------------------------------------------------------------------------------------------------------------------------------------------------------------------------------------------------------------------------------------------------------------------------------------------------------------------------------------------------------------------------------------------------------------------------------------------------------------------------------------------------------------------------------------------------------------------------------------------------------	-------------------------------------------------------------------------------------------------------------------------------------------------------------------------------------------------------------------------------------------------------------------------------

Dimensional drawing



CAN-MUX Indoor

CAN MUX Outdoor

DIGI SENS Switzerland AG

Freiburgstrasse 65
CH – 3280 Murten
Switzerland

Tel. : +41 (0)26 672 98 76
Fax : +41 (0)26 672 98 79
sales@digisens.ch
http://www.digisens.ch