

ELEIRO TOUCH Terminal



The ELEIRO Touch is the separate human machine interface (Touch screen) for the data processing computer ELEIRO

Description

The ELEIRO Touch is the operation terminal for the data processing computer ELEIRO. The display shows operation modes and measurement results.

The touch screen gives you an easy and intuitive access to the complete operating user menu of the ELEIRO. The functionalities depend on the ELEIRO application (refuse catchweighers, dumper trucks, etc).

Communication and power supply are in one cable. This and an easy fixing tool (RAM-Mount) grants you a flexible fixing of the ELEIRO Touch.

The "ELEIRO Connection-box" let you interconnect the ELEIRO, the ELEIRO Touch, the printer and the main power supply with the advantage of minimizing the number of cables going from the back of the vehicle to the cabin to one.



ELEIRO TOUCH Terminal



Characteristics

Interfaces

- CAN
- USB (only for update)

Software and operation

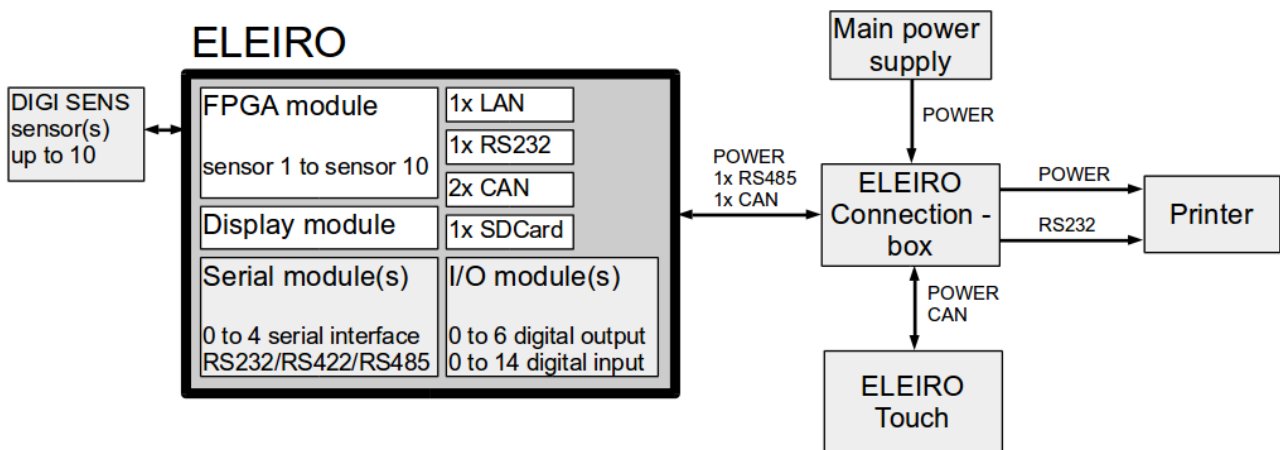
- Linux operating system
- Analogue resistive touch-screen
- LCD Display with LED backlight

Mechanical characteristics and certificates

- RAM-Mount fixing
- E1 type approval
- Protection level IP 6k5
- Compact and robust housing
- Mechanical shock level 2
- Random vibration level 2
- Sinusoidal vibration level 2

Operating parameters

- 9-36 V supply voltage
- -30 ... 65 °C operating temperature range
- -40 ... 85 °C storage temperature range

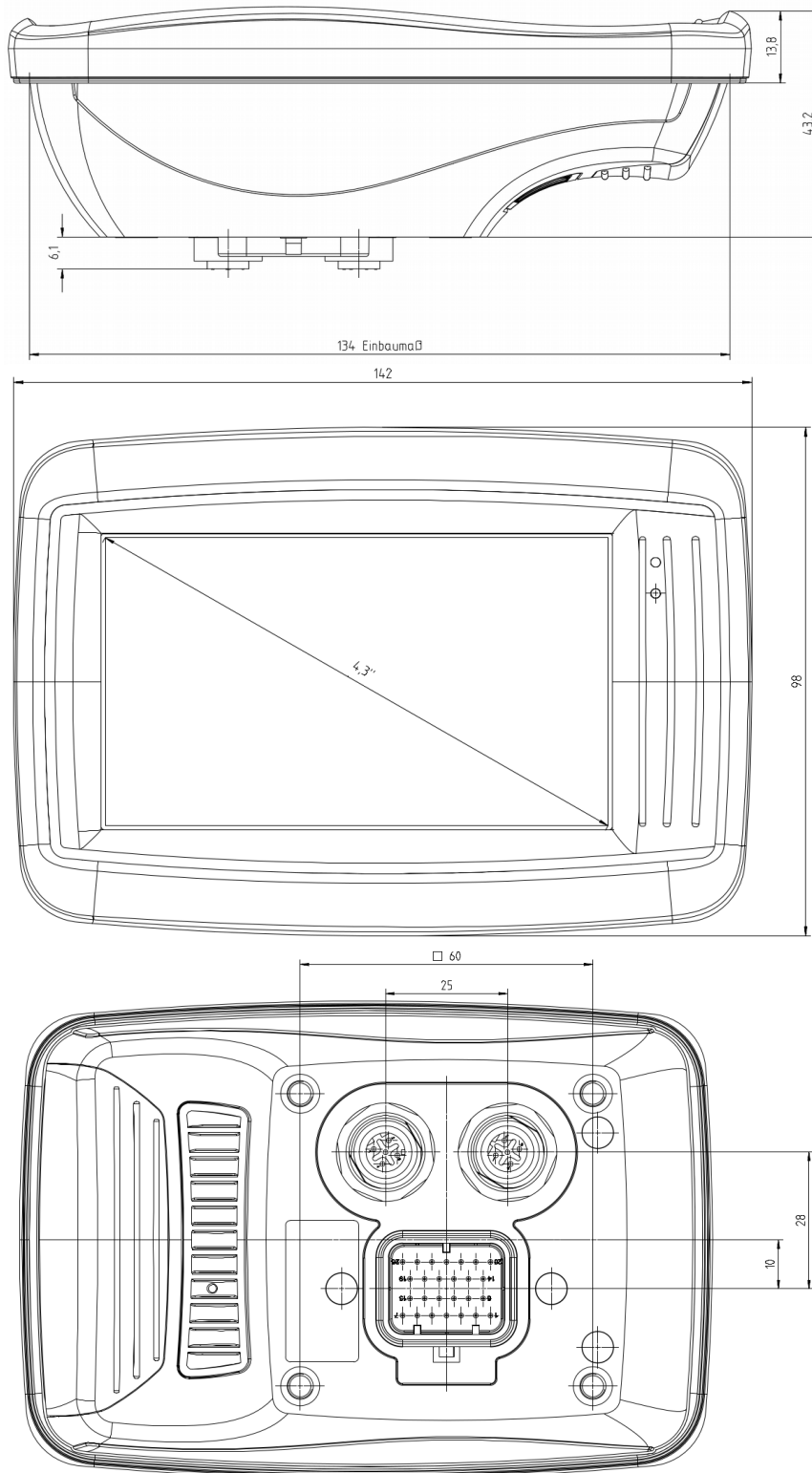


* 1 serial module is needed on the ELEIRO for RS485 communication

ELEIRO TOUCH Terminal



Dimensional drawing



DIGI SENS Switzerland AG

Freiburstrasse 65
CH-3280 Murten
Switzerland

Tel.: +41 (0) 26 672 98 76
Fax.: +41 (0) 26 672 98 79
sales@digisens.ch
www.digisens.ch