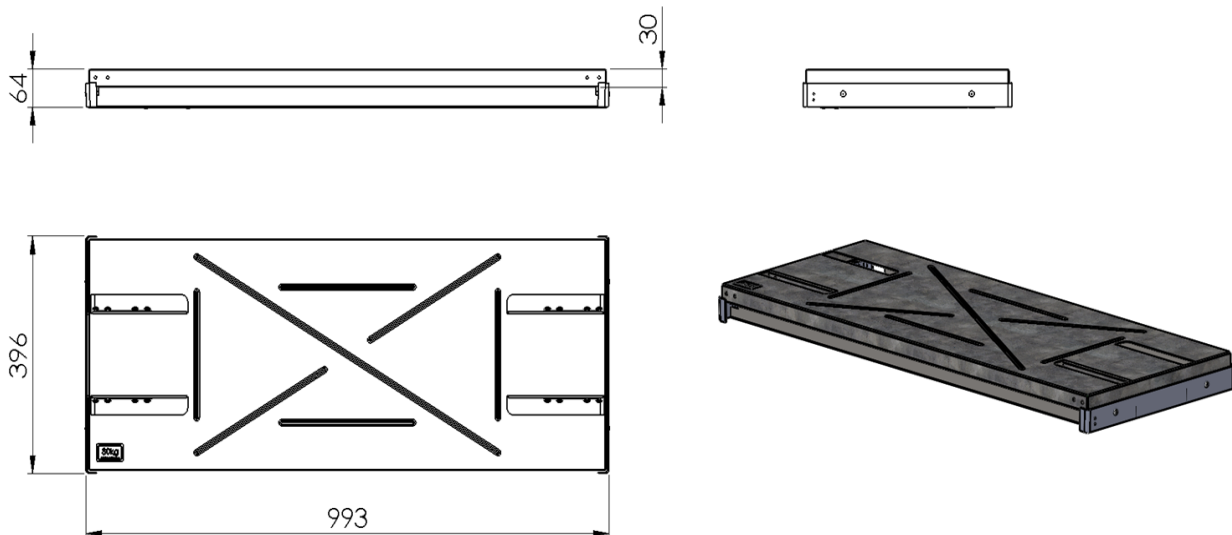


Technical Data

1. Technical specifications		Length	993 mm	3. Standards	
Number of containers	1	Width	396 mm	Relative Air Humidity	≤98% not condensing
Capacity	1 x 80 kg	Height	64 mm	Pollution degree	2
Overload Capacity	50%	Weight	8.6 kg	4. Delivery Condition	
Combined deviation (typical)	1% (0 - 20 kg) 2% (20 - 80 kg)	Indoor use		Ready to mount in standard shelf	
Resolution	10 g	2. Interface		Delivered on EURO-pallet, max. 30 pieces stacked per pallet	
Temperature drift (typical)	±5 g/K	2 wire RS-485 serial bus			
Zero point drift (typical)	-0.2 kg/year	LOWA DIGI SENS protocol (serial half-duplex ASCII protocol, no collision control)			
Power supply	12V DC ± 2V DC	Connector	RJ45 (8 pins)		
Power consumption	20 mA (240 mW)				
Functional temperature range	+5 to +40 °C				

Dimensional drawing



DIGI SENS Switzerland AG

Freiburgstrasse 65
CH – 3280 Murten
Switzerland

Tel. : +41 (0)26 672 98 76
Fax : +41 (0)26 672 98 79
sales@digisens.ch
www.digisens.ch