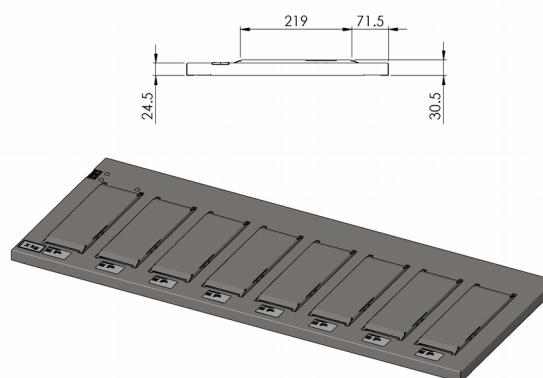
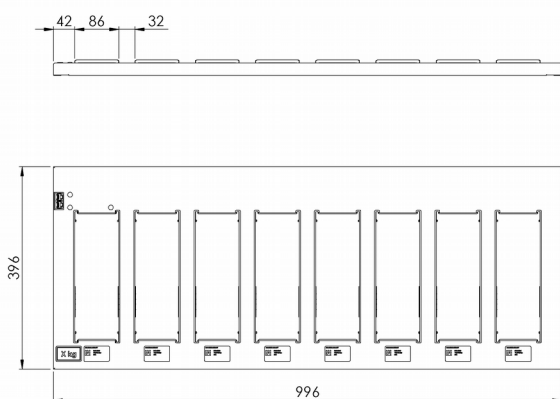


Technical Data

1. Technical specifications Number of containers 8 Capacity 8 x 4 kg Overload Capacity 50% Max error ⁽¹⁾ $\pm 11\text{g} \leq 2\text{kg}$ $\pm 0.55\% > 2\text{kg}$ Repeatability (typical) $\pm 1\text{g}$ Resolution 1 g Temperature drift (typical) $\pm 0.4\text{g/K}$ Zero point drift (typical) -12 g/year Power supply 12V DC \pm 2V DC Power consumption 50 mA (600 mW) Functional temperature range +5 to +40 °C	Length	996 mm	3. Standards Relative Air Humidity $\leq 98\%$ not condensing Pollution degree 2
	Width	396 mm	
	Height	30.5 mm	
	Weight	8.6 kg	4. Delivery Condition Ready to mount in standard shelf Delivered on EURO-pallet, max. 30 pieces stacked per pallet
	Indoor use		
	2. Interface		
	2 wire RS-485 serial bus		
	LOWA DIGI SENS protocol (serial half-duplex ASCII protocol, no collision control)		
	Connector	RJ45 (8 pins)	
	Power supply		
	Power consumption		
	Functional temperature range		
	Max error ⁽¹⁾		

⁽¹⁾ Tested in the center and at room temperature

Dimensional drawing



DIGI SENS Switzerland AG

Freiburgstrasse 65
 CH – 3280 Murten
 Switzerland

Tel. : +41 (0)26 672 98 76
 Fax : +41 (0)26 672 98 79
 sales@digisens.ch
 www.digisens.ch