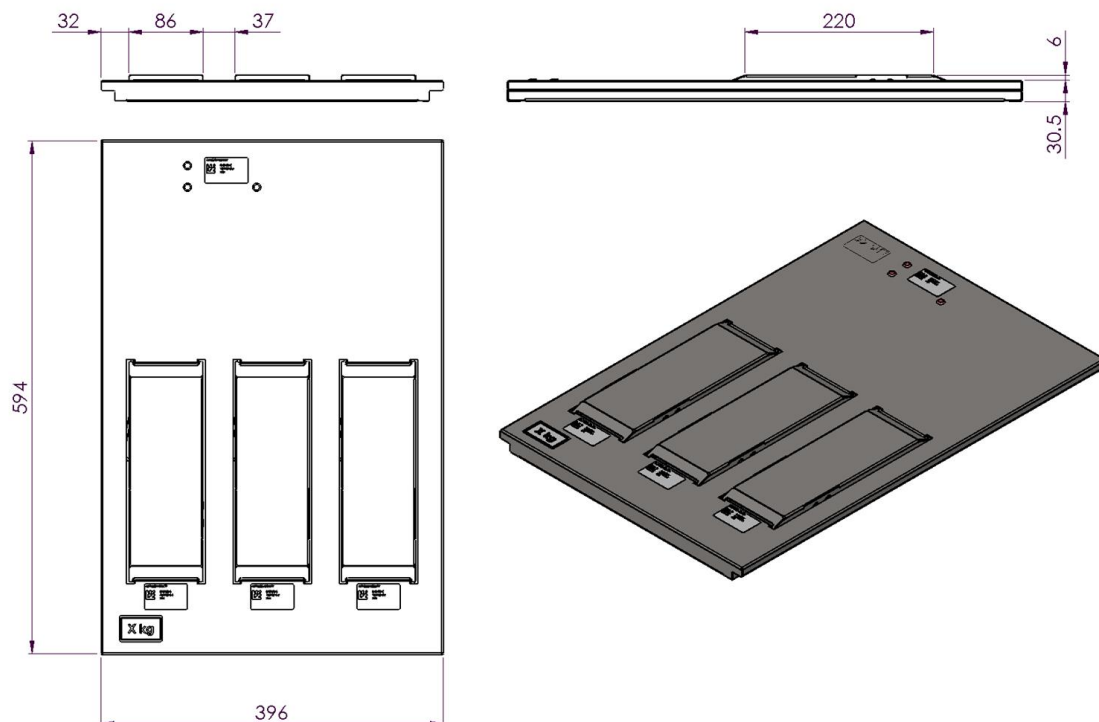


## Technical Data

<b>1. Technical specifications</b>		Length	396 mm	<b>3. Standards</b>	
Number of containers	3	Width	594 mm	Relative Air Humidity	≤98% not condensing
Capacity	3 x 4 kg	Height	30.5 mm	Pollution degree	2
Overload Capacity	50%	Weight	4.4 kg	<b>4. Delivery Condition</b>	
Non-Linearity (typical)	0.05% f.s.	Indoor use		Ready to mount in standard shelf	
Repeatability (typical)	±1 g	<b>2. Interface</b>		Delivered on EUR-pallet, max. 30 pieces stacked per pallet	
Resolution	1 g	2 wire RS-485 serial bus			
Temperature drift (typical)	±0.4 g/K	LOWA DIGI SENS protocol (serial half-duplex ASCII protocol, no collision control)			
Zero point drift (typical)	-12 g/year	Connector	RJ45 (8 pins)		
Power supply	12V DC ± 2V DC				
Power consumption	50 mA (600 mW)				
Functional temperature range	+5 to +40 °C				

## Dimensional drawing



**DIGI SENS Switzerland AG**

Digitale Messtechnik  
Freiburgstrasse 65  
CH – 3280 Murten

Tel. : +41 (0)26 672 98 76  
Fax : +41 (0)26 672 98 79  
sales@digisens.ch  
www.digisens.ch