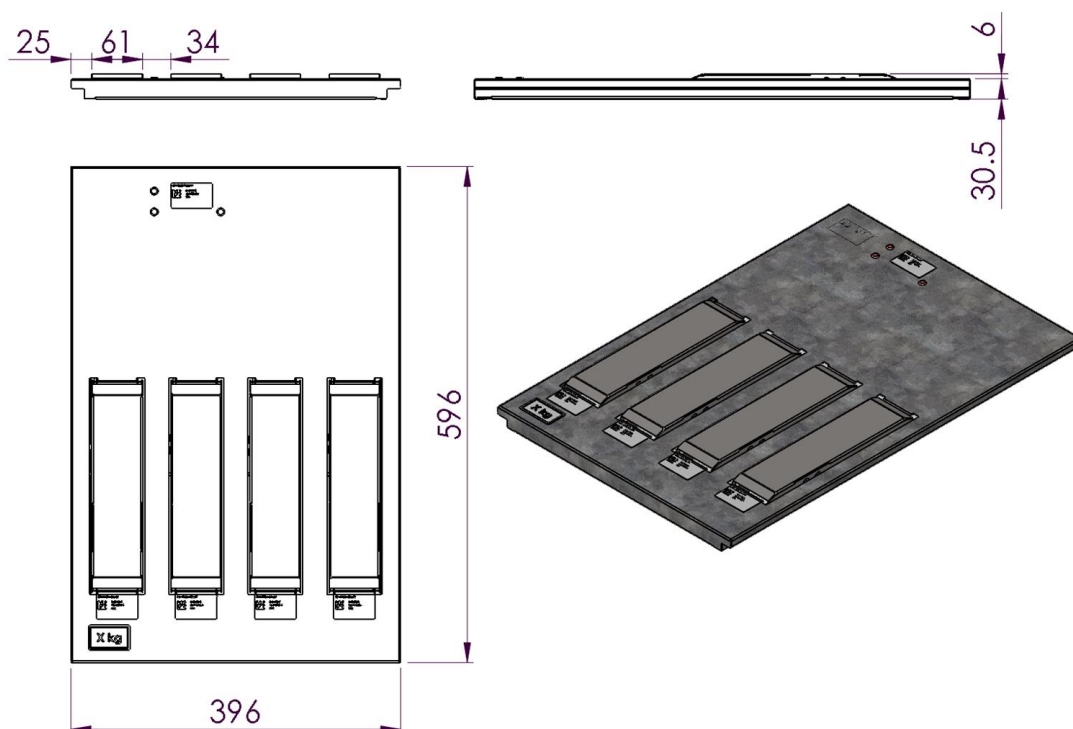


## Technical Data

<b>1. Technical specifications</b>  Number of containers                    4 Capacity                                    4 x 4 kg Overload Capacity                        50% Non-Linearity (typical)                 0.05% f.s. Repeatability (typical)                 ±1 g Resolution                                    1 g Temperature drift (typical)             ±0.4 g/K Zero point drift (typical)               -12 g/year Power supply                                12V DC ± 2V DC Power consumption                        50 mA (600 mW) Functional temperature range           +5 to +40 °C	Length	396 mm	<b>3. Standards</b>  Relative Air Humidity                    ≤98% not condensing Pollution degree                             2  <b>4. Delivery Condition</b>  Ready to mount in standard shelf  Delivered on EUR-pallet, max. 30 pieces stacked per pallet
	Width	596 mm	
	Height	30.5 mm	
	Weight	4.5 kg	
	Indoor use		
	<b>2. Interface</b> 2 wire RS-485 serial bus  LOWA DIGI SENS protocol (serial half-duplex ASCII protocol, no collision control)		
	Connector	RJ45 (8 pins)	

## Dimensional drawing



**DIGI SENS Switzerland AG**

Digitale Messtechnik  
 Freiburgstrasse 65  
 CH – 3280 Murten

Tel. : +41 (0)26 672 98 76  
 Fax : +41 (0)26 672 98 79  
 sales@digisens.ch  
 www.digisens.ch