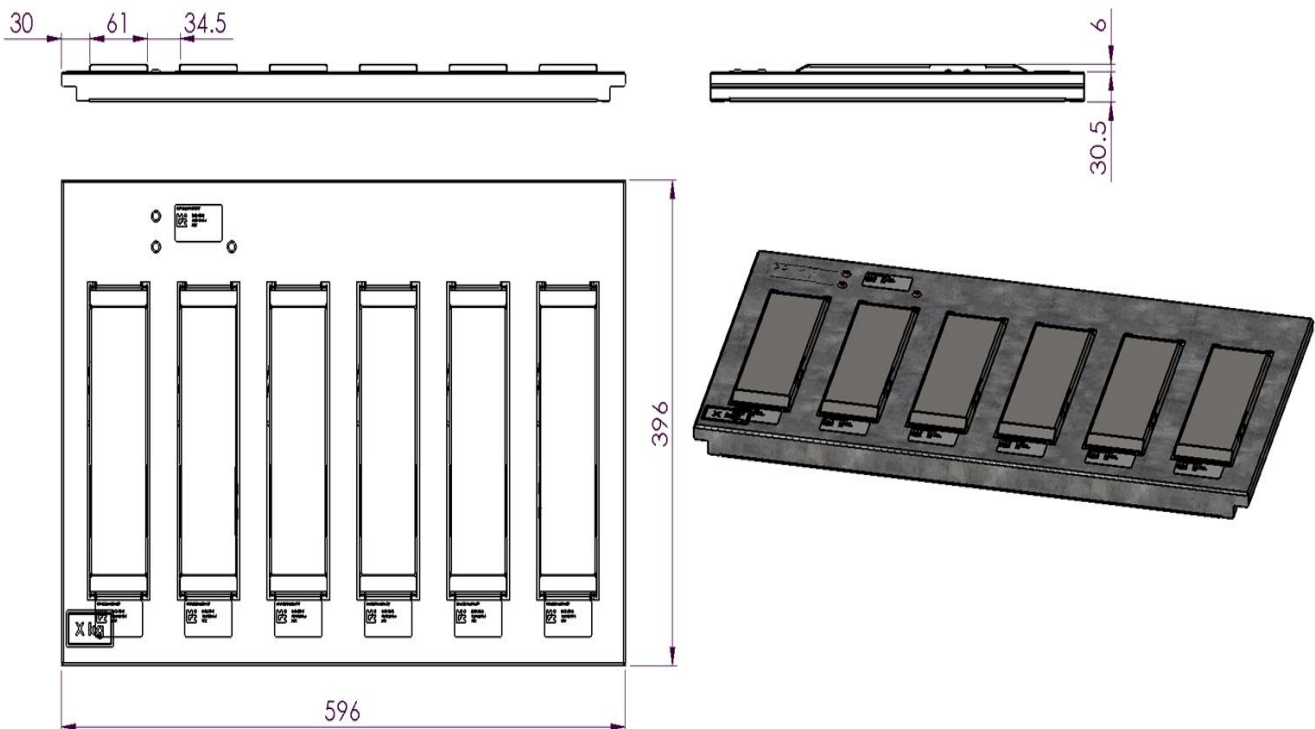


Technical Data

1. Technical specifications Number of containers 6 Capacity 6 x 4 kg Overload Capacity 50% Non-Linearity (typical) 0.05% f.s. Repeatability (typical) ±1 g Resolution 1 g Temperature drift (typical) ±0.4 g/K Zero point drift (typical) -12 g/year Power supply 12V DC ± 2V DC Power consumption 50 mA (600 mW) Functional temperature range +5 to +40 °C	Length	596 mm	3. Standards Relative Air Humidity ≤98% not condensing Pollution degree 2 4. Delivery Condition Ready to mount in standard shelf Delivered on EUR-pallet, max. 30 pieces stacked per pallet
	Width	396 mm	
	Height	30.5 mm	
	Weight	5 kg	
	Indoor use		
	2. Interface 2 wire RS-485 serial bus LOWA DIGI SENS protocol (serial half-duplex ASCII protocol, no collision control)		
	Connector	RJ45 (8 pins)	

Dimensional drawing



DIGI SENS Switzerland AG

Digitale Messtechnik
 Freiburgstrasse 65
 CH – 3280 Murten

Tel. : +41 (0)26 672 98 76
 Fax : +41 (0)26 672 98 79
 sales@digisens.ch
 www.digisens.ch