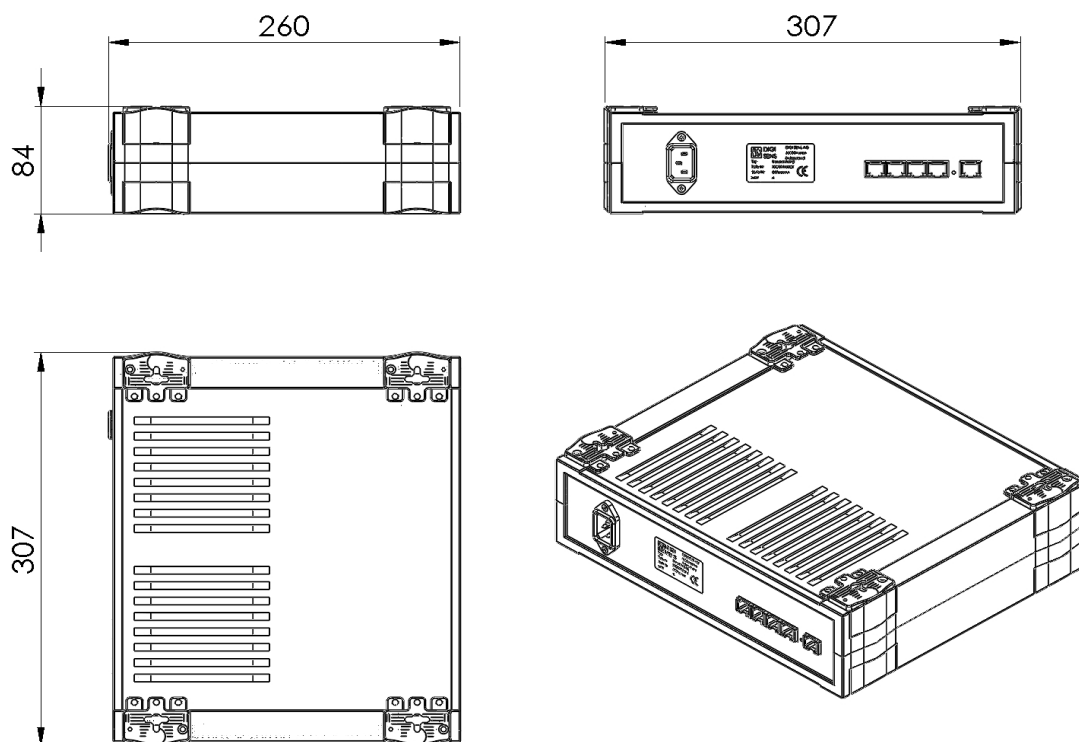


Technical Data

<p>1. Technical specifications</p> <p>Supply voltage 100-240VAC / 47-63 Hz</p> <p>Current consumption max 1.8A</p> <p>Functional temperature range 0 °C to 40 °C</p> <p>IP code 20</p> <p>Dimension (H x L x l) 84 x 307 x 260mm</p> <p>Weight 1600 g</p> <p>Relative Air Humidity ≤ 98% not condensing</p> <p>FOR INDOOR USE ONLY</p>	<p>2. Connectors</p> <p>1x RJ-45 for LOWA interface Input 4x RJ-45 for LOWA interface Output</p> <p>3. Interfaces</p> <p>LOWA</p>	<p>4. LOWA</p> <p>Output voltage 12 V / DC</p> <p>Maximal output current max 7A</p> <p>Maximal number of scales 500</p> <p>5 BEWARE: interface under power. Only connect DIGI SENS AG shelves. Destruction hazard.</p>
--	---	--

Dimensional drawing



DIGI SENS AG

Digitale Messtechnik
 Freiburgstrasse 65
 CH – 3280 Murten
 Switzerland

Tel. : +41 (0)26 672 98 76
 Fax : +41 (0)26 672 98 79
 sales@digisens.ch
 http://www.digisens.ch