

# Duett Wägezelle WF 8kg



## Technical Data

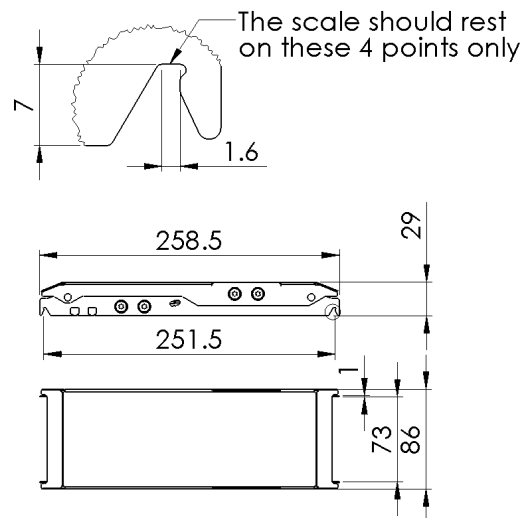
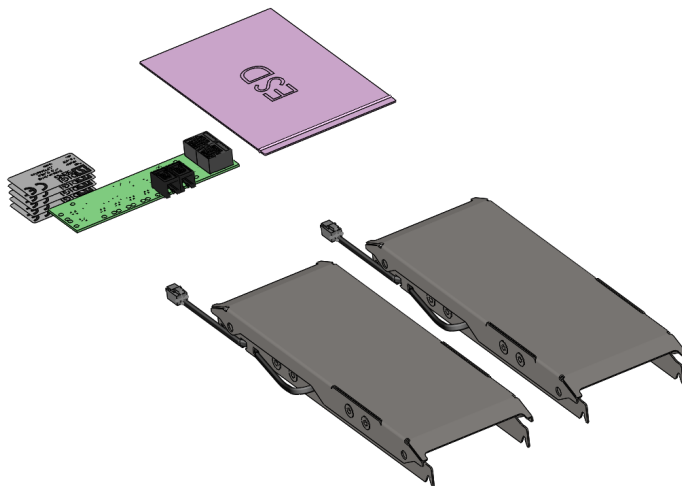
<b>1. Technical specifications</b>  Number of scales                    2  Capacity                                2 x 8 kg  Overload Capacity <sup>(2)</sup> 50%  Max error <sup>(1)(2)</sup> ±11g ≤ 2kg ±0.55% > 2kg  Repeatability (typical) <sup>(2)</sup> ±1 g  Resolution                                 1 g  Temperature drift (typical)            ±0.4 g/K  Zero point drift (typical) <sup>(2)</sup> -30 g/year  Power supply                            12V DC ± 2V DC  Power consumption                    15 mA (200 mW)  Functional temperature range        +5 to +40 °C	Length	258 mm	<b>3. Standards</b>  Relative Air Humidity                ≤98% not condensing  Pollution degree                            2
	Width	86 mm	
	Height	29 mm	
	Weight	0.5 kg	
	Indoor use		
	<b>2. Interface</b>  2 wire RS-485 serial bus  LOWA DIGI SENS protocol (serial half-duplex ASCII protocol, no collision control)		
	Connector	RJ45 (8 pins)	

<sup>(1)</sup> Tested in the center and at room temperature. Calibrated in Murten. Gravity: 9.806 m/s<sup>2</sup>

<sup>(2)</sup> The scale must be properly installed.

See K321 LOWA DIGISENS protocol

## Product composition



Included cable length from each cell to the multiplexer : 1 meter.  
 Max bending radius : R 7mm

**DIGI SENS Switzerland AG**

Freiburgstrasse 65  
 CH – 3280 Murten  
 Switzerland

Tel. : +41 (0)26 672 98 76  
 Fax : +41 (0)26 672 98 79  
 sales@digisens.ch  
 www.digisens.ch