

Technical Data

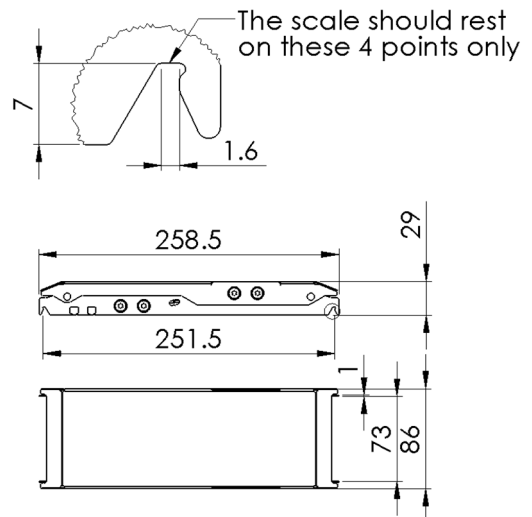
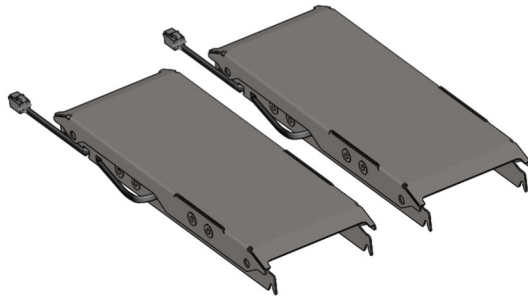
1. Technical specifications Number of scales 2 Capacity 2 x 8 kg Overload Capacity ⁽²⁾ 50% Max error ⁽¹⁾⁽²⁾ ±11g ≤ 2kg ±0.55% > 2kg Repeatability (typical) ⁽²⁾ ±1 g Resolution 1 g Temperature drift (typical) ±0.4 g/K Zero point drift (typical) ⁽²⁾ -30 g/year Power supply 12V DC ± 2V DC Power consumption 15 mA (200 mW) Functional temperature range +5 to +40 °C	Length 258 mm	3. Standards Relative Air Humidity ≤98% not condensing Pollution degree 2
	Width 86 mm	
	Height 29 mm	
	Weight 0.5 kg	
	Indoor use	
	2. Interface	
	2 wire RS-485 serial bus	
	LOWA DIGI SENS protocol (serial half-duplex ASCII protocol, no collision control)	
	Connector RJ45 (8 pins)	

⁽¹⁾ Tested in the center and at room temperature. Calibrated in Murten. Gravity: 9.806 m/s²

⁽²⁾ The scale must be properly installed.

See K321 LOWA DIGISENS protocol

Product composition



Included cable length from each cell to the multiplexer : 1 meter.
Max bending radius : R 7mm

DIGI SENS Switzerland AG

Freiburgstrasse 65
CH – 3280 Murten
Switzerland

Tel. : +41 (0)26 672 98 76
Fax : +41 (0)26 672 98 79
sales@digisens.ch
www.digisens.ch