

Quartett Wägezelle WF 8kg



Technical Data

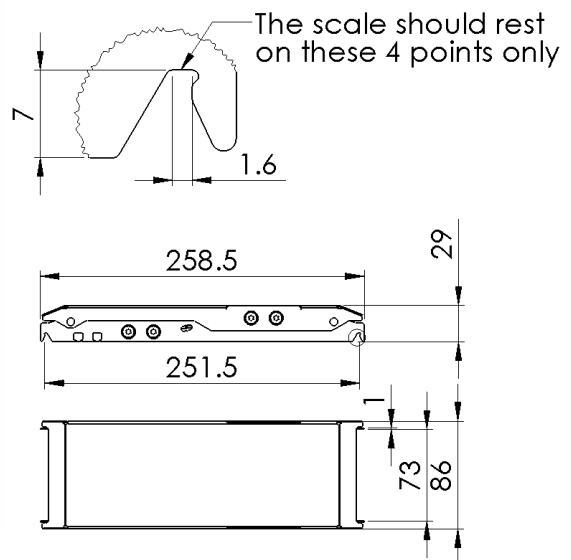
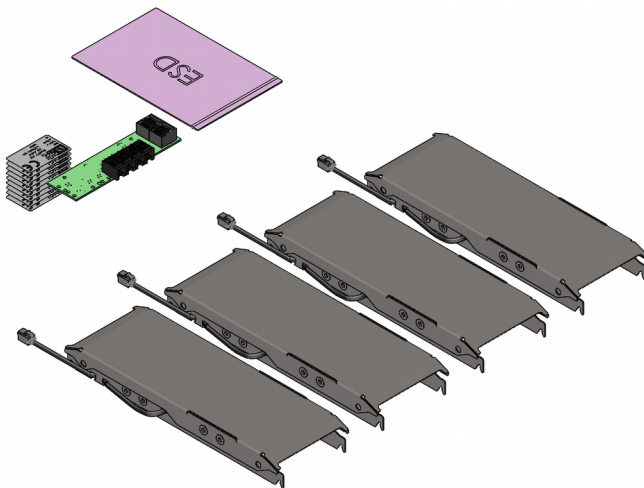
1. Technical specifications Number of scales 4 Capacity 4 x 8 kg Overload Capacity ⁽²⁾ 50% Max error ⁽¹⁾⁽²⁾ $\pm 11\text{g} \leq 2\text{kg}$ $\pm 0.55\% > 2\text{kg}$ Repeatability (typical) ⁽²⁾ $\pm 1\text{g}$ Resolution 1 g Temperature drift (typical) $\pm 0.4\text{g/K}$ Zero point drift (typical) ⁽²⁾ -30 g/year Power supply 12V DC \pm 2V DC Power consumption 30 mA (400 mW) Functional temperature range +5 to +40 °C	Length	258 mm	3. Standards Relative Air Humidity $\leq 98\%$ not condensing Pollution degree 2
	Width	86 mm	
	Height	29 mm	
	Weight	0.5 kg	
	Indoor use		
	2. Interface 2 wire RS-485 serial bus LOWA DIGI SENS protocol (serial half-duplex ASCII protocol, no collision control)		
	Connector	RJ45 (8 pins)	

⁽¹⁾ Tested in the center and at room temperature. Calibrated in Murten. Gravity: 9.806 m/s²

⁽²⁾ The scale must be properly installed.

See K321 LOWA DIGISENS protocol

Product composition



Included cable length from each cell to the multiplexer : 1 meter.
 Max bending radius : R 7mm

DIGI SENS Switzerland AG

Freiburgstrasse 65
 CH – 3280 Murten
 Switzerland

Tel. : +41 (0)26 672 98 76
 Fax : +41 (0)26 672 98 79
 sales@digisens.ch
 www.digisens.ch