

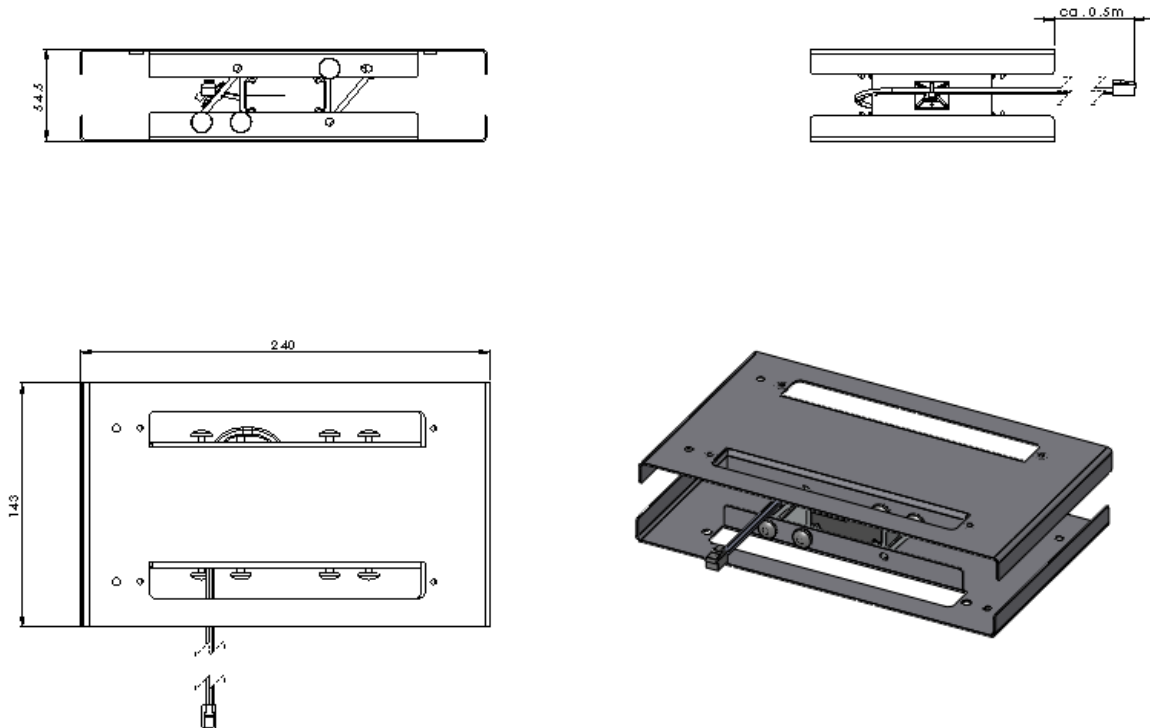
# Deckelwaage INOX 4W 20kg

## Technical Data

<b>1. Technical specifications</b>		Length	240 mm	<b>3. Standards</b>	
Number of containers	1	Width	143 mm	Relative Air Humidity	≤98% not condensing
Capacity	20 kg	Height	54.5 mm	Pollution degree	2
Overload Capacity	50%	Weight	0.8 kg		
Combined deviation (typical)	1% (0 - 5 kg) 2% (5 - 20 kg)	Indoor use			
Resolution <sup>(1)</sup>	2 g	<b>2. Interface</b>			
Temperature drift (typical) <sup>(1)</sup>	±0.8g/K	Operating voltage	5 ±0.5 V DC		
Zero point drift (typical)	-50 g/year	Max. power requirement	6 mA (30 mW)		
Functional temperature range	+5 to +40 °C	Output signal	Frequency 5 V TTL		
		Connector	RJ10		

<sup>(1)</sup> Using Digisens multiplexer (MUX)

## Dimensional drawing



**DIGI SENS Switzerland AG**

Freiburgstrasse 65  
CH – 3280 Murten  
Switzerland

Tel. : +41 (0)26 672 98 76  
Fax : +41 (0)26 672 98 79  
sales@digisens.ch  
www.digisens.ch